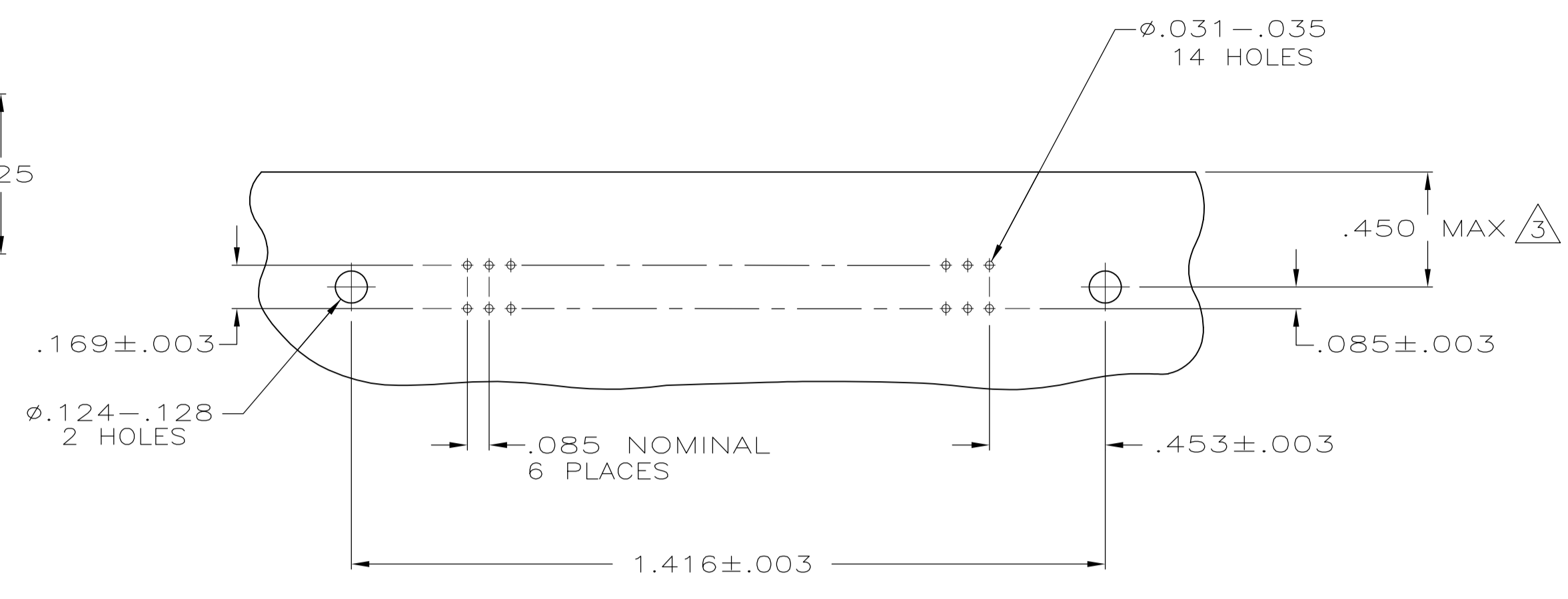
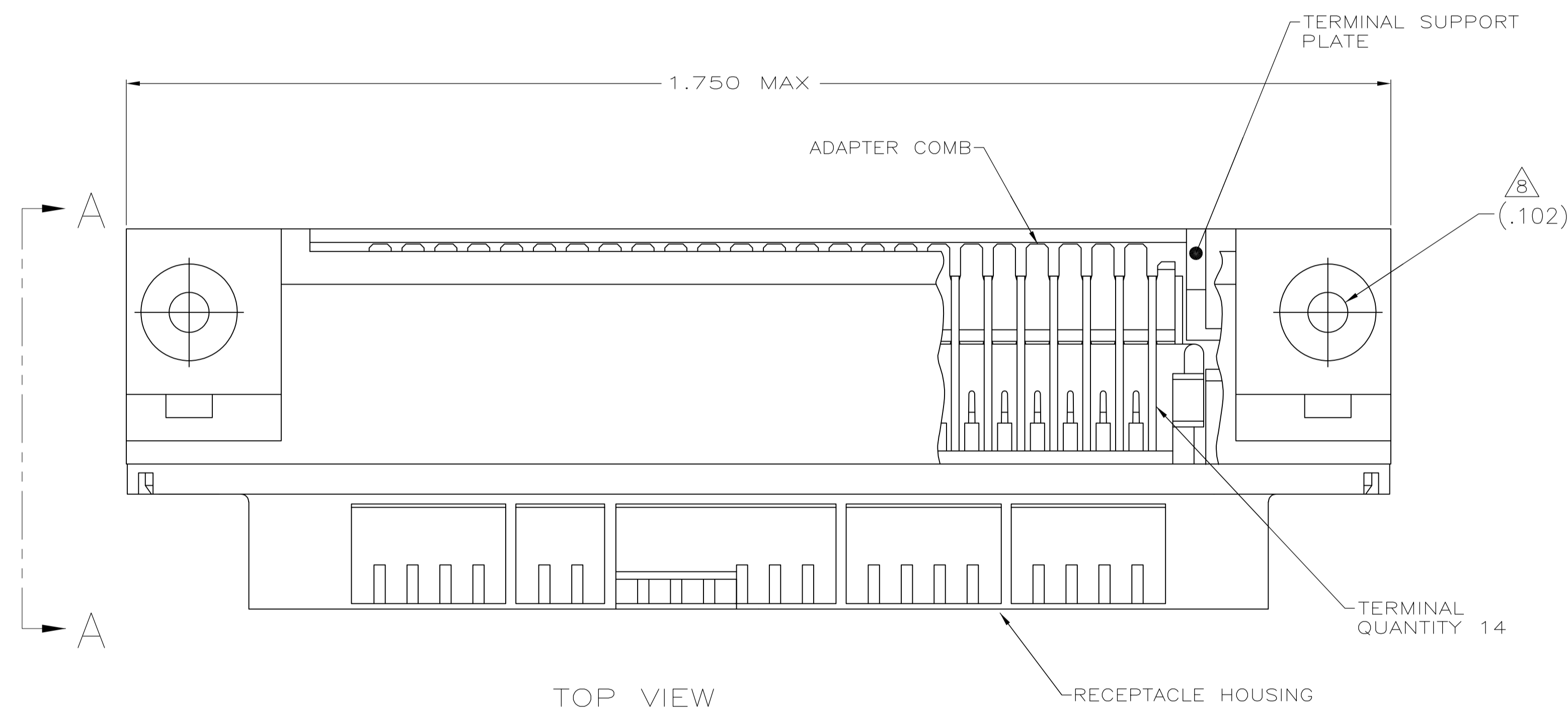


SUGGESTED REAR PANEL MOUNTING CUTOUT DIMENSIONS
 SCALE 2:1

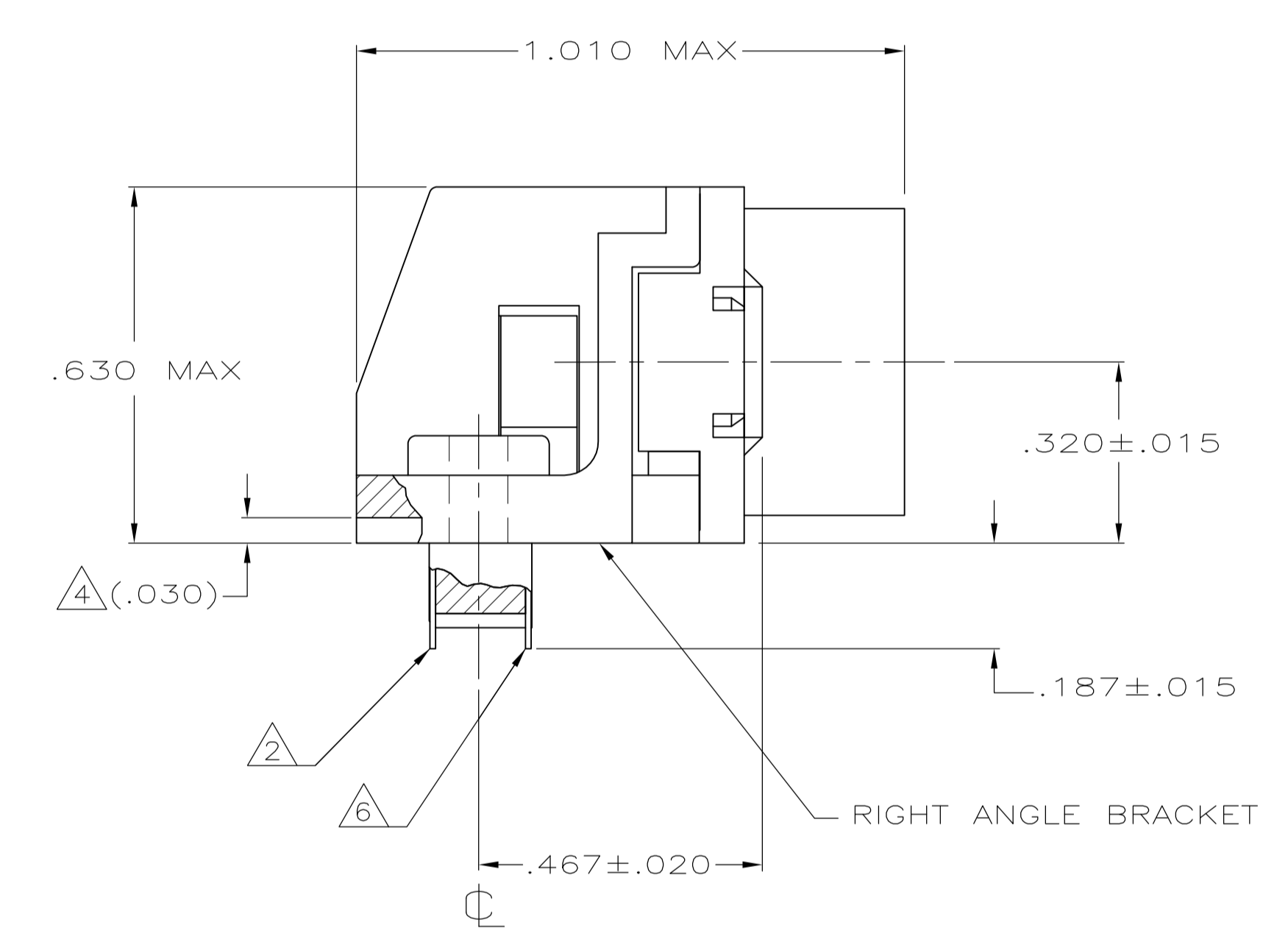


SUGGESTED PRINTED CIRCUIT BOARD MOUNTING DIMENSIONS
 SCALE 2:1

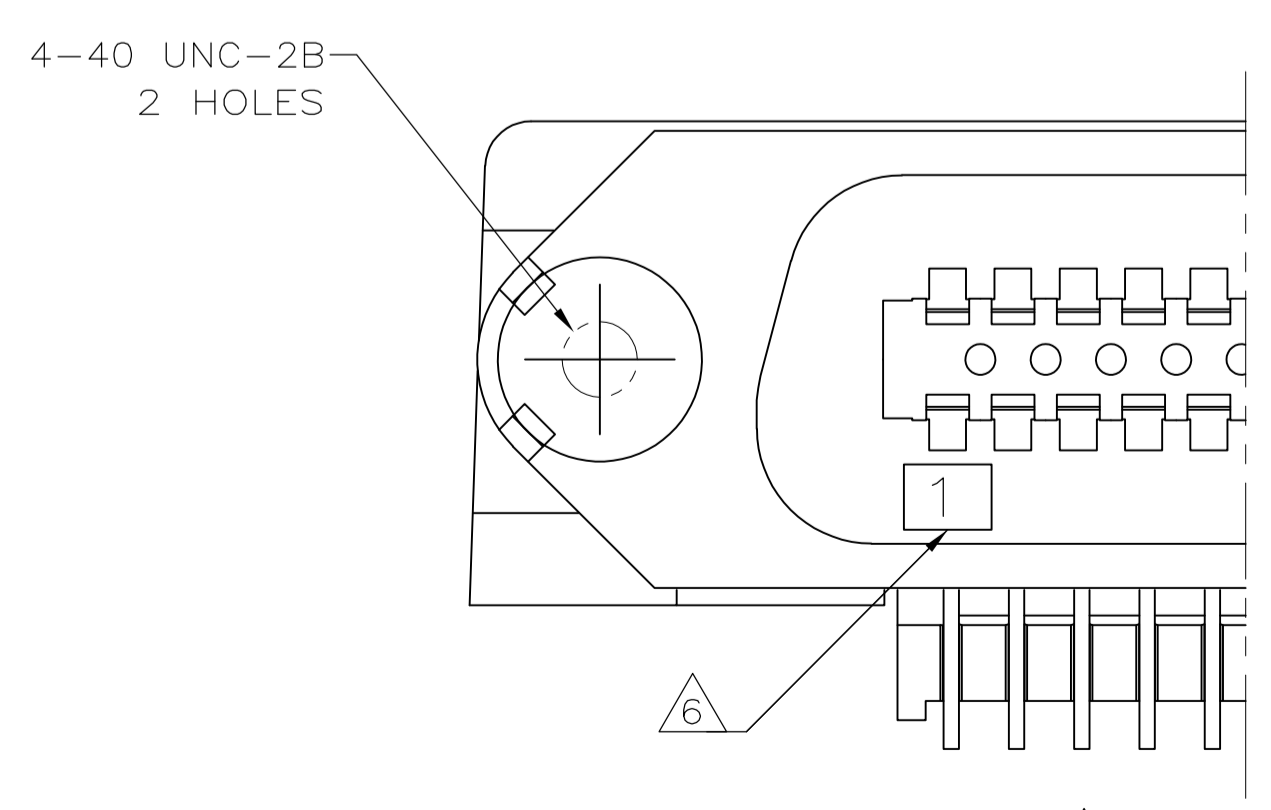
- 1 MATERIAL: HOUSING, BRACKET, PLATE & COMB - THERMOPLASTIC, BLACK, 94V-0 RATED. TERMINALS - HIGH STRENGTH COPPER ALLOY PLATED WITH EITHER .000030 MIN GOLD PLATE OR GOLD FLASH OVER PALLADIUM NICKEL PLATE .000030 MIN TOTAL ON MATING SURFACE. .000120 MIN TIN-LEAD PLATE ON TAILS. ALL OVER .000050 MIN NICKEL UNDERPLATE OVER ENTIRE TERMINAL.
- 2 TERMINAL 1 IS LOCATED IN THIS ROW FOR STANDARD ORIENTATION, FOR 552738-1 ONLY.
- 3 MAXIMUM DIMENSION FOR REAR PANEL MOUNTING.
- 4 TERMINAL SUPPORT PLATE CLEARANCE FOR TERMINAL STRAIN RELIEF AND FLUX REMOVAL.
- 5 MAXIMUM PANEL THICKNESS: .062.
- 6 TERMINAL 1 IS LOCATED IN THIS ROW FOR REVERSE ORIENTATION, 552738-2 ONLY.
- 7 DETAILS "A" AND "B" ARE VIEWED FROM MATING SIDE OF RECEPTACLE ASSEMBLY.
- 8 FOR USE WITH A NO.4 BT TYPE SELF-TAPPING SCREW.



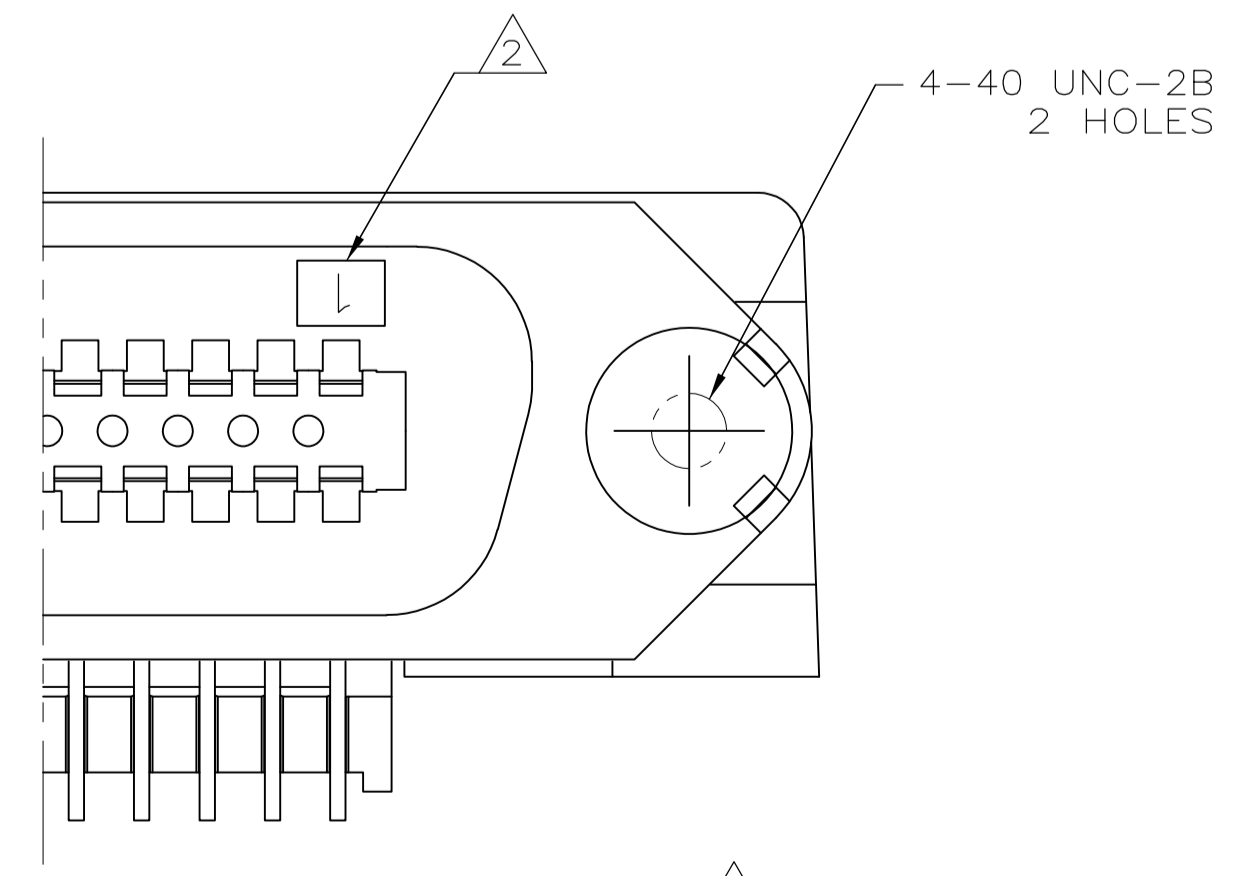
TOP VIEW



SIDE VIEW A-A



DETAIL B REVERSE ORIENTATION



DETAIL A STANDARD ORIENTATION

SELF TAPPING	SEE DETAIL B	552738-2
SELF TAPPING	SEE DETAIL A	552738-1
TYPE OF MOUNTING	DESCRIPTION	PART NUMBER

THIS DRAWING IS A CONTROLLED DOCUMENT.		DIN EJ MCMASTER 15AUG05	Tyco Electronics Corporation Harrisburg, PA 17105-3608	
DIMENSIONS: INCHES		CHK W MILLHIMES 15AUG05	NAME M WALMSLEY 15AUG05	
TOLERANCES UNLESS OTHERWISE SPECIFIED:		PRODUCT SPEC		
0. PLC	± .005	APPLICATION SPEC		
1. PLC	± .005	SIZE		
2. PLC	± .005	CAGE CODE		
3. PLC	± .005	DRAWING NO		
4. PLC	± .005	RESTRICTED TO		
ANGLES	± .005	WEIGHT		
MATERIAL	FINISH	A1 00779 C=552738		
CUSTOMER DRAWING		SCALE 4:1	SHEET 1 of 1	REV M